



World Guide Rail Alliance



s p e c i f i c a t i o n s



Standard Machined Guide Rails

USA/Canada

Monteferro America
Phone (204) 222-0247
1-866-222-0247
Fax (204) 224-4275
E-mail: sales@monteferroamerica.com

Italy

Monteferro S.p.A.
Phone: ++39-0332-970970
Fax: ++39-0332-971016
E-mail: customer.service@monteferro.i

Brazil

Monteferro América Latina L.T.D.A.
Phone: ++55-11-38744760
Fax: ++55-11-38744764
E-mail: mfalvend@aol.com

Czech Republic

Monteferro Hradek A.S.
Phone: ++420-181-725467
Fax: ++420-181-725477
E-mail: customer.service@monteferro.cz

China

Hebei Monteferro Guide Rails Co., L.T.D.
Phone: ++86-317-2029504
Fax: ++86-317-2026327
E-mail: montefer@public.czptt.he.cn

Hong Kong

Monteferro Pacific Trading Ltd.
Phone: ++852-25214225
Fax: ++852-25261393
E-mail: mfpt@hkstar.com

Printed in Canada

ISO 9002 certified since 1995

Monteferro America

Standard Machined Guide Rails

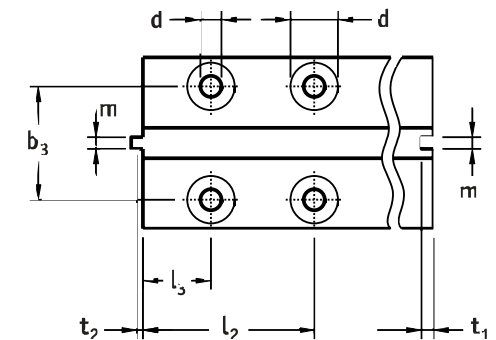
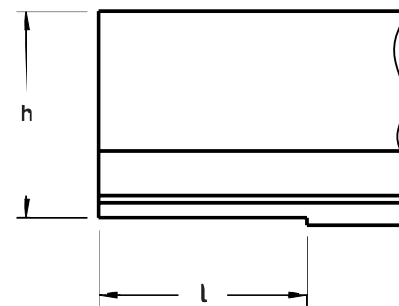
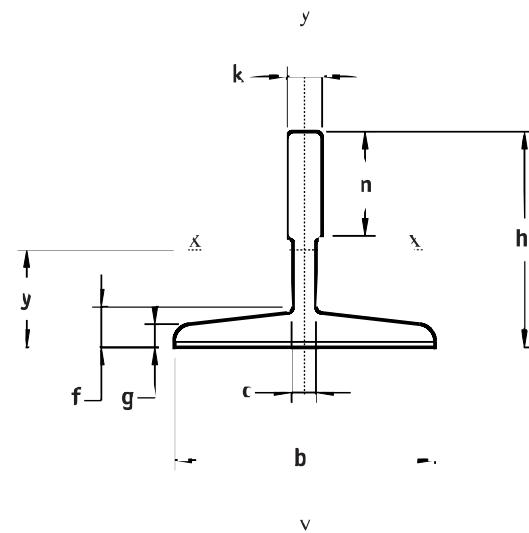


Monteferro's **Standard** guide rails are manufactured in standard lengths of 7', 8', 9' and 16'. T70 and T89 rails are also available in 10' lengths. Metric lengths of 5m and 2.5m as well as custom machined and saw cut lengths are also available.

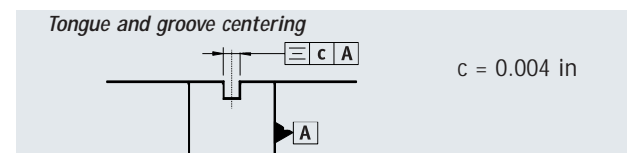
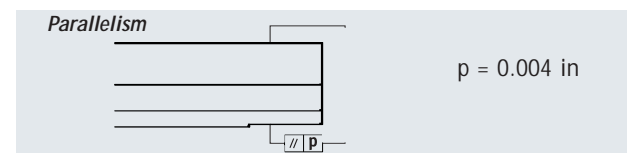
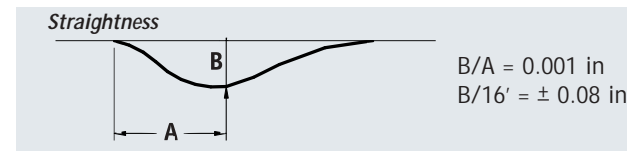
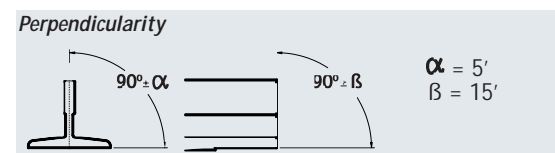
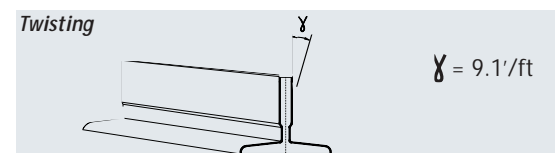
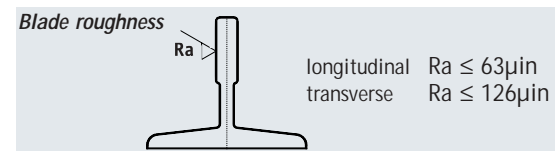
Dimensions

All dimensions in inches unless noted.

Monteferro Code	ISO Code	q ₁ lb/ft	b ₁	h ₁	h	k	n	c	g	f	m ₁	m ₂	t ₁	t ₂	d	d ₁	l	b ₃	l ₂	l ₃	
Tolerances				+/- 0.06	+/- 0.03	+/- 0.004	+0.004, -0				+0.0025, -0	+0, -0.0025	+/- 0.004	+/- 0.004					+/- 0.008	+/- 0.008	+/- 0.008
T70/B	—	6.25	2.75	1.978	1.937	0.625	1	0.375	0.313	0.4375	0.252	0.251	0.281	0.25	0.5625	N/A	6.14	1.813	4.50	1.50	
T89/B	T89/B	8.27	3.50	2.44	2.402	0.625	1.3125	0.375	0.313	0.4375	0.252	0.251	0.281	0.25	0.5625	1.024	6.14	2.250	4.50	1.50	
T114/B	—	11.12	4.50	3.50	3.465	0.625	1.5	0.375	0.313	0.4375	0.252	0.251	0.281	0.25	0.6875	1.299	6.14	2.625	4.50	1.50	
T127-1/B	T127-1/B	11.94	5.00	3.50	3.465	0.625	1.75	0.375	0.313	0.4375	0.252	0.251	0.281	0.25	0.6875	1.299	6.14	3.125	4.50	1.50	
T127-2/B	T127-2/B	15.11	5.00	3.50	3.465	0.625	2	0.375	0.500	0.625	0.252	0.251	0.281	0.25	0.6875	1.299	6.14	3.125	4.50	1.50	
T140-1/B	T140-1/B	18.55	5.50	4.25	4.213	0.748	2	0.5	0.500	0.625	0.252	0.251	0.281	0.25	0.8125	1.575	7.6	3.625	6.00	1.25	
T140-2/B	T140-2/B	22.79	5.50	4.02	3.976	1.125	2	0.6875	0.563	0.6875	0.252	0.251	0.281	0.25	0.8125	1.575	7.6	3.625	6.00	1.25	
T140-3/B	T140-3/B	30.91	5.50	5.00	4.961	1.250	2.25	0.75	0.688	1.000	0.252	0.251	0.281	0.25	0.8125	1.575	7.6	3.625	6.00	1.25	



Tolerances



Sectional properties

Monteferro Code	ISO Code	A in ²	q ₁ lb/ft	Y in	I _{xx} in ⁴	Z _x in ³	r _x in	I _{yy} in ⁴	Z _y in ³	r _y in
T70/B	—	1.79	6.25	0.67	0.66	0.52	0.60	0.62	0.46	0.59
T89/B	T89/B	2.43	8.27	0.80	1.43	0.87	0.77	1.26	0.72	0.72
T114/B	—	3.22	11.12	1.13	4.30	1.81	1.16	2.59	1.17	0.90
T127-1/B	T127-1/B	3.51	11.94	1.08	4.47	1.86	1.13	3.56	1.43	1.01
T127-2/B	T127-2/B	4.44	15.11	0.97	4.77	1.89	1.04	5.53	2.21	1.11
T140-1/B	T140-1/B	5.46	18.55	1.28	9.71	3.26	1.33	7.45	2.70	1.17
T140-2/B	T140-2/B	6.70	22.79	1.37	10.98	4.15	1.28	8.60	3.12	1.13
T140-3/B	T140-3/B	9.08	30.91	1.72	22.90	6.99	1.59	11.68	4.24	1.13



World Guide Rail Alliance



s p e c i f i c a t i o n s



Fishplates

USA/Canada

Monteferro America
Phone (204) 222-0247
1.866.222.0247
Fax (204) 224-4275
E-mail: sales@monteferroamerica.com

Italy

Monteferro S.p.A.
Phone: ++39-0332-970970
Fax: ++39-0332-971016
E-mail: customer.service@monteferro.i

Brazil

Monteferro América Latina L.T.D.A.
Phone: ++55-11-38744760
Fax: ++55-11-38744764
E-mail: mfalvend@aol.com

Czech Republic

Monteferro Hradek A.S.
Phone: ++420-181-725467
Fax: ++420-181-725477
E-mail: customer.service@monteferro.cz

China

Hebei Monteferro Guide Rails Co., L.T.D.
Phone: ++86-317-2029504
Fax: ++86-317-2026327
E-mail: montefer@public.czptt.he.cn

Hong Kong

Monteferro Pacific Trading Ltd.
Phone: ++852-25214225
Fax: ++852-25261393
E-mail: mfpt@hkstar.com

Printed in Canada

ISO 9002 certified since 1995

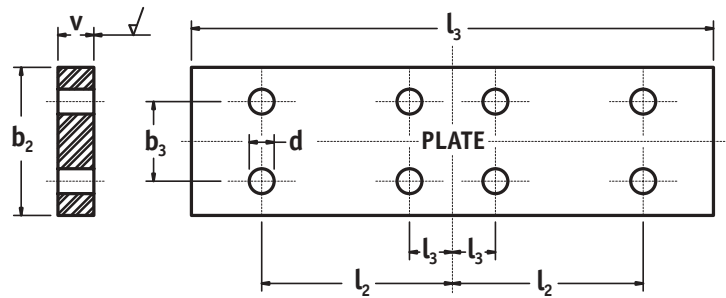
Monteferro America

Monteferro manufactures a complete range of fishplates for varying hoistway applications. We also offer custom and special application fishplate design and manufacturing.

Standard Fishplates

All dimensions in inches unless noted

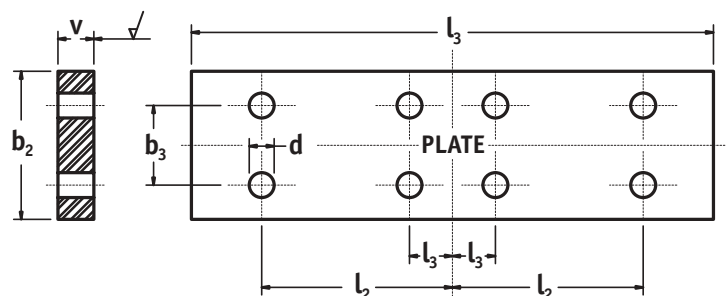
Rail Size	wt/pc (lbs)	d	b ₂	b ₃	l ₁	l ₂	l ₃	V	Hex Head Bolt Size
T70	4.68	0.5625	2.75	1.813	12.0	4.50	1.50	0.50	1/2 x 1 1/2
T89	7.44	0.5625	3.50	2.250	12.0	4.50	1.50	0.63	1/2 x 1 3/4
T114	11.49	0.6875	4.50	2.625	12.0	4.50	1.50	0.75	5/8 x 2
T127-1	12.76	0.6875	5.00	3.125	12.0	4.50	1.50	0.75	5/8 x 2
T127-2	12.76	0.6875	5.00	3.125	12.0	4.50	1.50	0.75	5/8 x 2
T140-1	22.62	0.8125	5.50	3.625	14.5	6.00	1.25	1.00	3/4 x 2 1/2
T140-2	22.62	0.8125	5.50	3.625	14.5	6.00	1.25	1.00	3/4 x 2 1/2
T140-3	28.27	0.8125	5.50	3.625	14.5	6.00	1.25	1.25	3/4 x 3



Double Thick Fishplates

Used to improve guide rail stiffness in high speed applications.

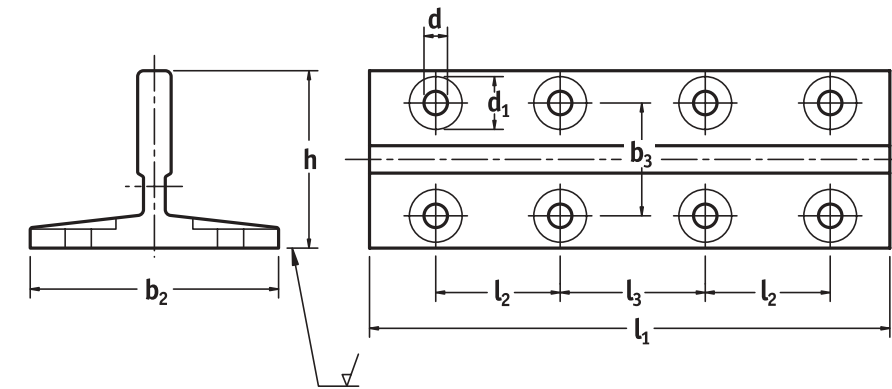
Rail Size	wt/pc (lbs)	d	b ₂	b ₃	l ₁	l ₂	l ₃	V	Hex Head Bolt Size
T70	9.36	0.5625	2.75	1.813	12.0	4.50	1.50	1.00	1/2 x 2
T89	14.89	0.5625	3.50	2.250	12.0	4.50	1.50	1.25	1/2 x 2 1/2
T114	22.97	0.6875	4.50	2.625	12.0	4.50	1.50	1.50	5/8 x 2 3/4
T127-1	25.53	0.6875	5.00	3.125	12.0	4.50	1.50	1.50	5/8 x 2 3/4
T127-2	25.53	0.6875	5.00	3.125	12.0	4.50	1.50	1.50	5/8 x 2 3/4
T140-1	45.24	0.8125	5.50	3.625	14.5	6.00	1.25	2.00	3/4 x 3 1/2
T140-2	45.24	0.8125	5.50	3.625	14.5	6.00	1.25	2.00	3/4 x 3 1/2
T140-3	56.54	0.8125	5.50	3.625	14.5	6.00	1.25	2.50	3/4 x 4 1/2



T - Plates

Manufactured from the same section as the guide rail, these fishplates provide mechanical characteristics, which satisfies the requirements of ANSI A17.1, Seismic Zone 3.

Rail Size	wt/pc (lbs)	d	d ₁	b ₂	b ₃	l ₁	l ₂	l ₃	h	Hex Head Bolt Size
T89	8.27	0.5625	1.024	3.50	2.250	12.0	3.00	3.00	2.44	1/2 x 2
T114	11.12	0.6875	1.299	4.50	2.625	12.0	3.00	3.00	3.50	5/8 x 2 1/4
T127-2	15.11	0.6875	1.299	5.00	3.125	12.0	3.00	3.00	3.50	5/8 x 2 1/4
T140-1	22.41	0.8125	1.575	5.50	3.625	14.5	4.75	2.50	4.25	3/4 x 2 3/4
T140-2	27.54	0.8125	1.575	5.50	3.625	14.5	4.75	2.50	4.00	3/4 x 2 3/4
T140-3	37.35	0.8125	1.575	5.50	3.625	14.5	4.75	2.50	5.00	3/4 x 3



Minimum Clearance Seismic Fishplates

Designed to fulfill the requirements of ANSI A17.1, Seismic Zone 3 with a minimum fishplate depth. These fishplates are manufactured with a threaded (tapped) hole for ease of installation.

Rail Size	wt/pc (lbs)	d	b ₂	b ₃	l ₁	l ₂	l ₃	V	Hex Head Bolt Size
T89	20.09	0.5625	3.50	2.250	12.0	6.00	3.00	1.687	1/2 x 2
T114	34.54	0.6875	4.50	2.620	12.0	6.00	3.00	2.255	5/8 x 2 1/4
T127-2	38.37	0.6875	5.00	3.125	12.0	6.00	3.00	2.255	5/8 x 2 1/4
T140-1	62.49	0.8125	5.50	3.625	14.5	7.25	4.75	2.763	3/4 x 2 3/4
T140-2	65.57	0.8125	5.50	3.625	14.5	7.25	4.75	2.899	3/4 x 2 3/4
T140-3	84.61	0.8125	5.50	3.625	14.5	7.25	4.75	3.741	3/4 x 3

